



The new degree of comfort.®



Residential Gas
ThermaForce Super High Efficiency
Condensing Tankless Water Heaters

Rheem® ThermaForce™ Super High-Efficiency Condensing Tankless Gas Water Heaters

Flexible Installation

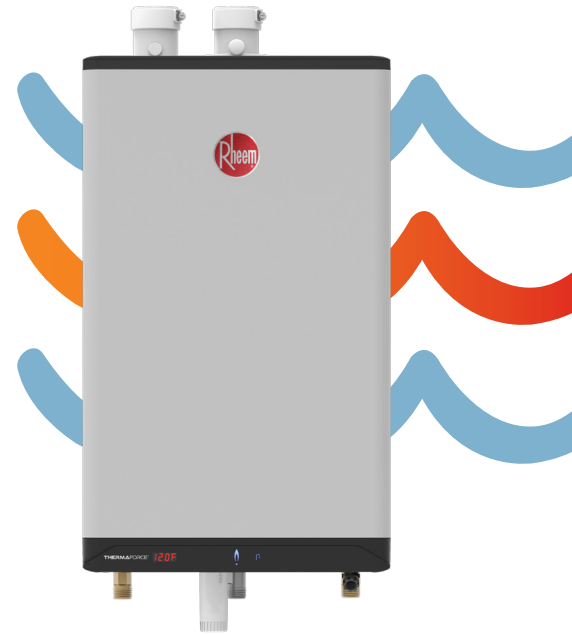
- Moveable combustion air intake (left/ right) and ability to flex vent in existing B-vent
- Extra long pipe fittings with notched sides for easy gripping with wrench
- Only 4 moving parts – Fan, Mixing Valve, Gas Valve, and Damper
- Universal shared platform parts – Easily diagnose and service with common parts for all ThermaForce™ units

Key Features

- Innovative single pass Labyrinth Heat Exchanger with Integrated copper waterway ensures maximum heat transfer with minimal heat loss
- Wireless cascading using RF balances workload of each unit for longer life
- Built-in Illuminated Touchscreen Control Panel
- Stands up to extreme hard water applications

Specifications

| MODEL NO. | | RTGH-L199i |
|--|------------|--|
| Input Rate | MAX | 199,000 BTU/h |
| | MIN | 28,500 BTU/h |
| Uniform Energy Factor (UEF) | | 0.90 |
| Gallons per Minute (GPM) | MAX (35°F) | 10.1 |
| | 45°F Rise | 7.9 |
| | 67°F Rise | 5.4 |
| Set Point Temperature Range | | 105°F - 149°F |
| Installation Type | | Indoor only wall-hung |
| Fuel Type | | Compatible with Natural Gas and LP (Ships NG with LP Conversion kit included) |
| Heat Exchanger Material | | Copper tubes in AL block |
| Water Pressure | | 40 - 150 PSI |
| Maximum Altitude | | 10,100 ft NG / 7,800 ft LP |
| Minimum Activation Flow | | 0.5 GPM |
| Ambient Temperature – Low (°F) | | 32° |
| Ambient Temperature – High (°F) | | 122° |
| Max relative humidity (non-condensing) | | 90% |
| Height | | 29.8" |
| Width | | 17.7" |
| Depth | | 10.9" |
| Weight (empty) | | 68 lbs. |
| Power Supply | | 120V / 60Hz |
| Venting | | 2" or 3" PVC, CPVC, Polypropylene |
| Vent Clearances | | 0" to combustibles |
| Safety Devices | | Flame Proving module, Flue Gas Temperature Sensor, Protective fuse |
| Ultra Low NOx | | Meets 14 ng/J NOx requirements - SCAQMD Rule 1146.2 compliant |
| Warranty ¹ | | 15-Year Heat Exchanger, 5-Year Parts, 1-Year Labor - Residential; 5-Year Heat Exchanger, 5-Year Parts - Commercial |

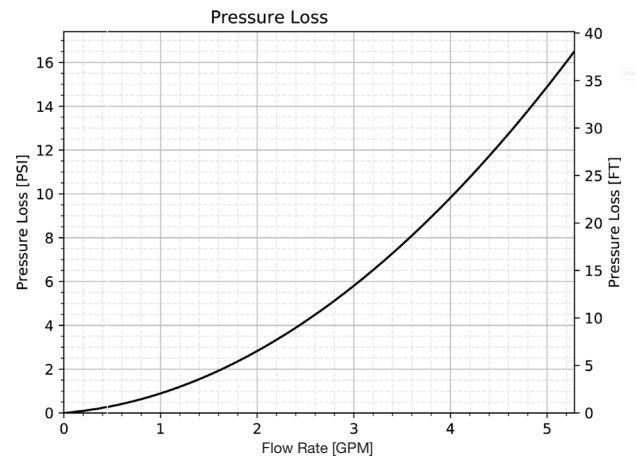


RTGH-L199i

Indoor Direct Vent
28,500-199,000 BTU/h
Natural Gas/LP Convertible



Water heater pressure drop – ThermaForce™ RTGH-L199i



¹See Warranty Certificate for complete information



INTEGRATED HOME COMFORT

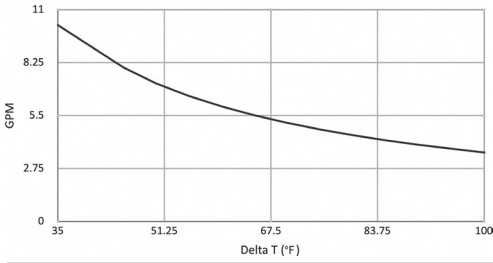


The new degree of comfort®



Residential Gas
ThermaForce Super High Efficiency
Condensing Tankless Water Heaters

Water Heater Flow Rate Curves



| Model Number | Temperature Rise (°F) | | | | | | | | | |
|-----------------------------|-----------------------|-----|-----|-----|-----|-----|-----|-----|------|--|
| | 35° | 45° | 50° | 60° | 65° | 70° | 80° | 90° | 100° | |
| RTGH-L199i Water Flow (GPM) | 10.2 | 8.0 | 7.2 | 6.0 | 5.5 | 5.1 | 4.5 | 4.0 | 3.6 | |

Above estimates are for sizing purposes only.

Specifications

| VENTING | MAXIMUM EQUIVALENT LENGTH |
|---|--|
| Schedule 40 PVC, CPVC or Polypropylene | (each side) |
| 2" | 65' ² |
| 3" | 120' |
| 2" or 3" 90° Long Sweep Vent Elbow | Allow 5 equivalent feet |
| 2" or 3" 90° Short Sweep Vent Elbow | Allow 8 equivalent feet |
| 2" or 3" 45° Vent Elbow | Allow 3 equivalent feet |
| Polypropylene | |
| PPs 87-90° Elbow | Allow 8 equivalent feet |
| Flex PPS | |
| 3" PPs Flex | 35' Actual (Equivalent = Actual x 1.4) |

² Approximate input derate of 10 - 16% at 2" maximum vent length.

| SURFACE | MIN. DISTANCE FROM COMBUSTIBLE SURFACES | RECOMMENDED DISTANCE FOR INSTALLATION AND SERVICE |
|------------|---|---|
| Front | 2" | 24" |
| Rear | 0" | 0" |
| Left Side | 1.5" | 6" |
| Right Side | 4" | 6" |
| Top | 2" | 24" |
| Bottom | 8" | 24" |

| PIPING CONNECTIONS | | DIMENSION |
|--------------------|--------------------------------|--------------------|
| A | Exhaust Outlet | 2" Schedule 40 PVC |
| B | Combustion Air Inlet | 2" Schedule 40 PVC |
| C | Cold Domestic Water Connection | ¾" Male NPT |
| D | Hot Domestic Water Connection | ¾" Male NPT |
| E | Gas Connection | ¾" Male NPT |
| F | Condensate Connection | ¾" Hose |

Parts & Accessories

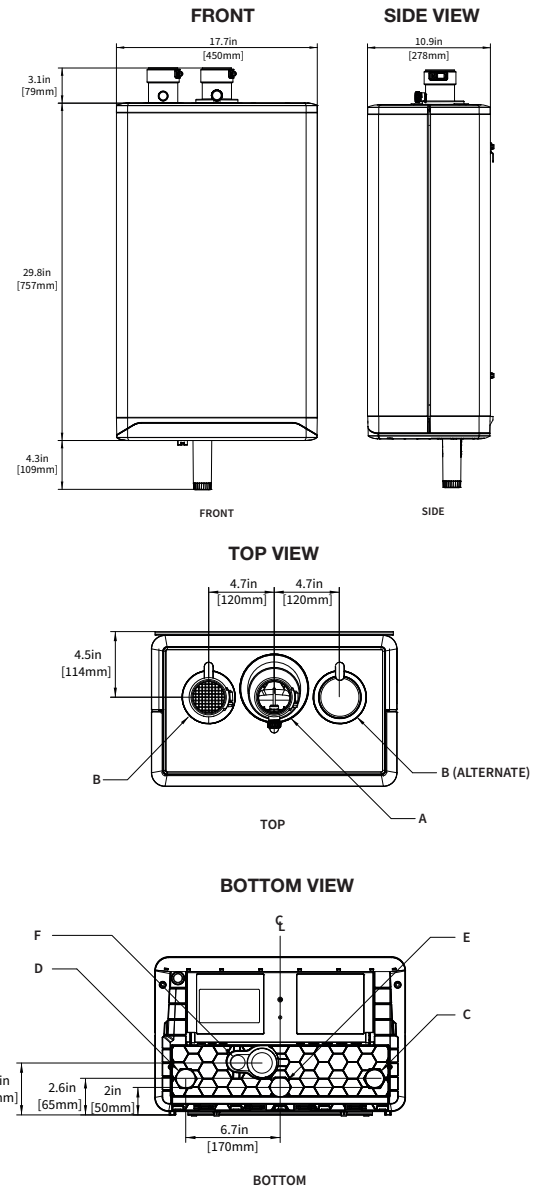
| Floor Stand P-267C | Service Parts Kit P-911R | 2" PVC Sidewall Vent Kit P-741 | 3" PVC Sidewall Vent Kit P-742 |
|--------------------|--------------------------|--------------------------------|--------------------------------|
| | | | |

In keeping with its policy of continuous progress and product improvement, Rheem reserves the right to make changes without notice.

Rheem Water Heating • 1115 Northmeadow Parkway, Suite 100
Roswell, Georgia 30076 • www.rheem.com

Rheem Canada Ltd./Ltée • 125 Edgeware Road, Unit 1
Brampton, Ontario L6Y 0P5 • www.rheem.ca

Dimensions



INTEGRATED HOME COMFORT